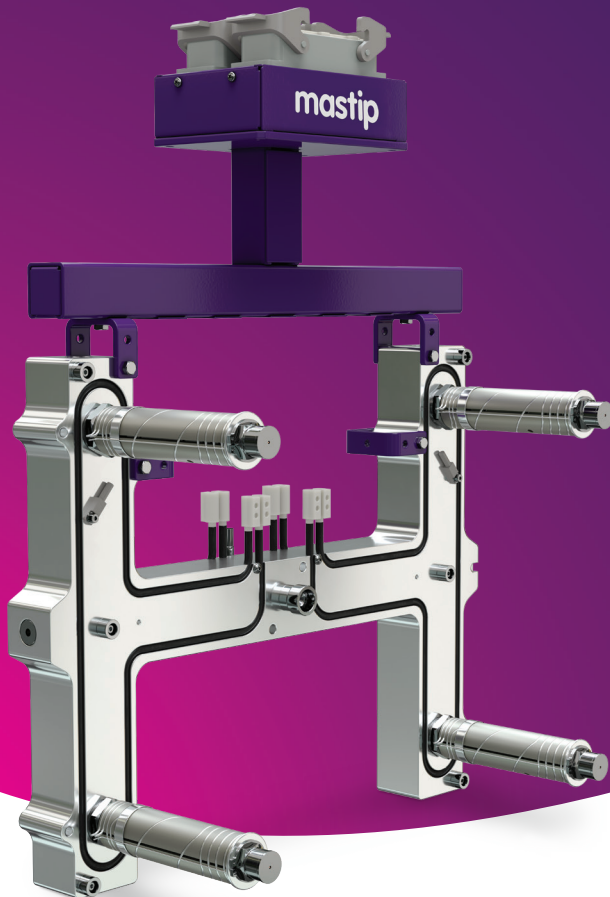


Nexus™ Systems

READY → SET → INJECT

mastip™
hot runner solutions



Mastip's next generation Nexus™ Pre-Assembled and Pre-Wired Systems are delivered as a complete turn-key solution for quick and simple installation.

Nexus™ Systems incorporate the advanced leak protection of FlowLoc™ Technology and benefits from a superior thermal profile providing a wide moulding window for a broad range of polymers.

Applications

- Ideal for small to medium automotive, medium to large appliances and large part electrical applications
- Able to process both commodity and abrasive engineering grade polymers
- Fully customisable to suit your application requirements
- Suitable for high pressure applications

Features

- Fast and simple installation out of the box, no further assembly required
- Advanced thermal technology
- Customisable wiring frame to match specific mould layout
- FlowLoc™ Technology nozzle range attaches securely to the manifold with a threaded connection
- FlowLoc™ Technology is available in 16, 19 and 27 Series thermal gate nozzles

Benefits

- Incorporates advanced heating technology for superior thermal performance
- FlowLoc™ Technology provides a leak-proof solution
- User-friendly maintenance and easy serviceability due to quick removal of complete unit from mould
- Excellent thermal profile ensuring a wide moulding window
- Cold condition starting without the risk of polymer leakage

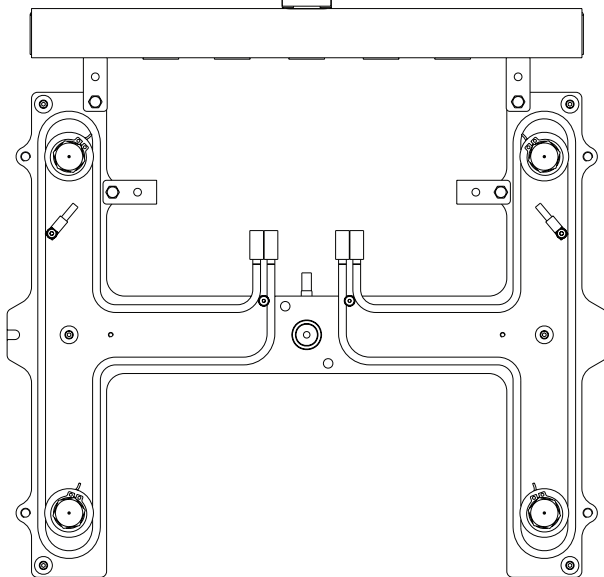
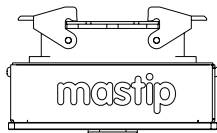
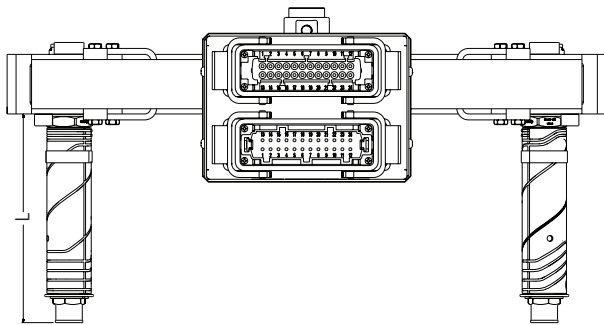
Nexus™ Systems

READY → SET → INJECT



Nexus™ systems are designed for fast, simple installation out of the box without requiring any further assembly.

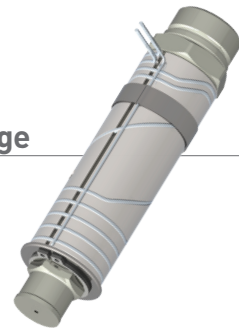
Nexus™ systems feature fully customisable frames, electrical connections, tip and nut options and nozzle lengths to suit your application requirements.



FlowLoc™ Technology Nozzle Range Overview

The FlowLoc™ nozzle range features a threaded base that attaches to the manifold providing a secure, leak-proof operation. FlowLoc's™ advanced heating technology delivers superior thermal performance for a wide moulding window.

FlowLoc™ Range



Availability

	16 Series	19 Series	27 Series
	FlowLoc™ Technology Nozzle Range		
L	95		
	115		
	130		
	145		
	175		
	-	-	225
-	-	275	

All measurements are in millimetres.